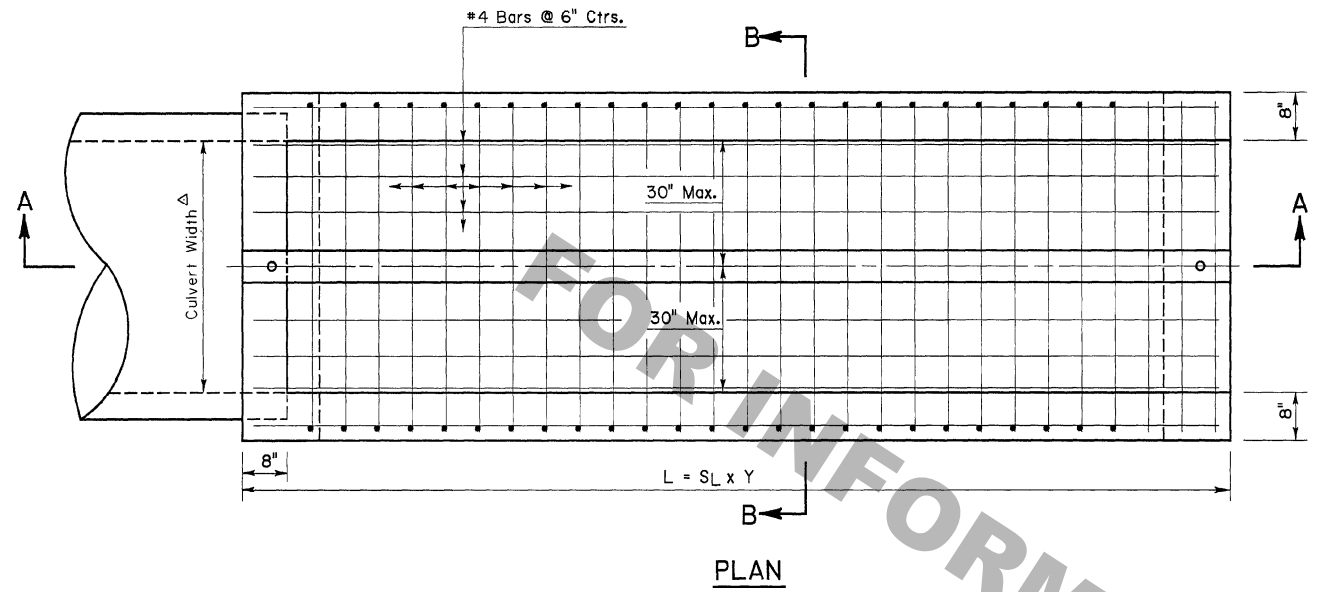


FEDERAL PROJECT	STATE PROJECT	PARISH	SHEET NO.



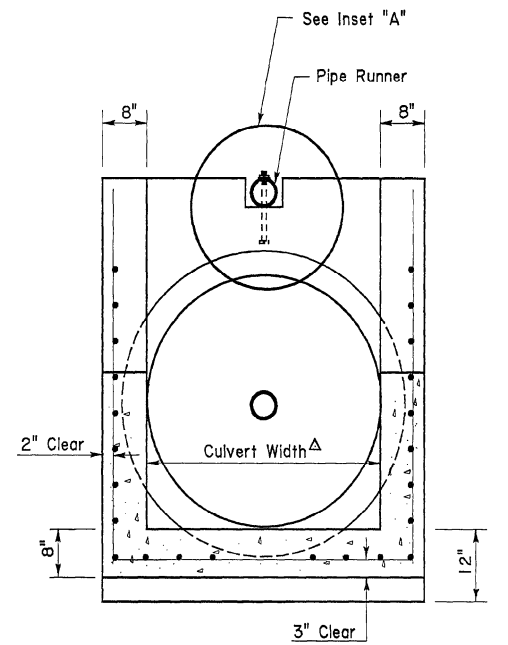
PLAN

- General Notes:**
- 1) While a RCP culvert is detailed, this Safety End shall also be used with RCPA, CMP, CMPA, and RCB culverts. Safety Ends for skewed culverts shall also be skewed with walls parallel to the centerline of the culvert.
 - 2) The slope of the Safety End walls (SL:1) shall match the embankment foreslope required on the typical section. If no foreslope is given, a slope of 4:1 shall be required. Skewed Safety Ends shall require flatter wall slopes to match embankment foreslopes.
 - 3) Pipe Runners shall be galvanized steel pipe conforming to ASTM A53, Type E or S, Grade B, 35ksi; or ASTM A501, 36ksi. Required Pipe Runner diameters and strengths for various maximum spans are:

Nominal Diameter	Strength/Schedule	Maximum* Span	Outside Diameter	Wall Thickness	Weight Per Foot
3"	XS/80	14'-5"	3.5"	0.300"	10.25 lbs
3 1/2"	Std/40	15'-6"	4.0"	0.226"	9.11 lbs
3 1/2"	XS/80	20'-4"	3.548"	0.318"	12.50 lbs
4"	Std/40	20'-10"	4.5"	0.237"	10.78 lbs
4"	XS/80	27'-8"	4.5"	0.337"	14.98 lbs
5"	Std/40	35'-4"	5.563"	0.258"	14.62 lbs
5"	XS/80	48'-2"	5.563"	0.375"	20.78 lbs
6"	Std/40	55'-1"	6.625"	0.280"	18.97 lbs
6"	XS/80	79'-0"	6.625"	0.432"	28.57 lbs

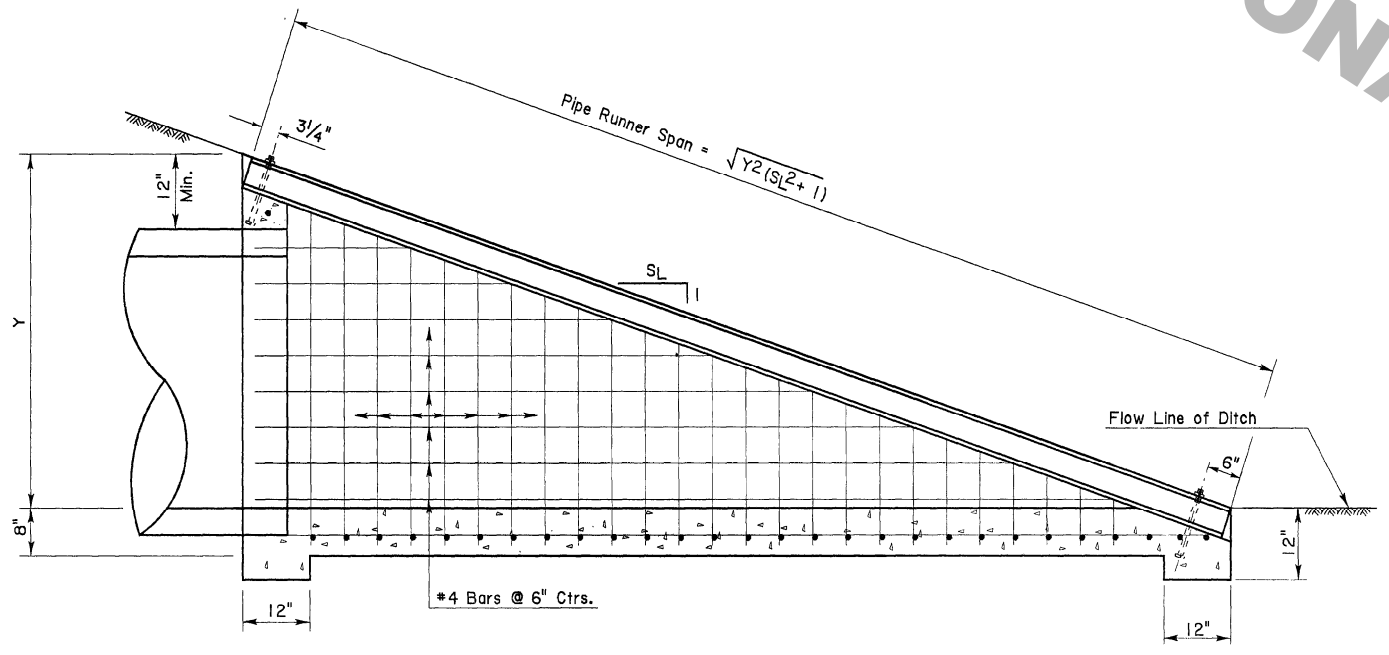
*Pipe Runners are designed for a traversing load of 1,800 pounds at yield.

- 4) For culvert widths of 60" and less a single pipe runner is required. For larger culvert widths, multiple pipe runners are required. The maximum pipe runner spacing is 30".

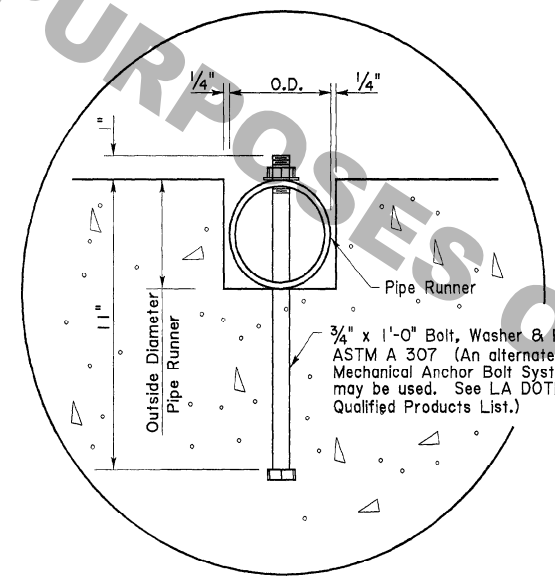


SECTION B-B

Δ Culvert width shown is for a single culvert. For multiple culverts, culvert width will be adjusted to include all culvert openings.



SECTION A-A



INSET "A"



SPECIAL DETAIL NO.	SETCRD2	SHEET	1 OF 1
CROSS DRAIN SAFETY END TYPE 2 37" MINIMUM WIDTH			
DATED August 5, 1991			
STATE OF LOUISIANA DEPARTMENT OF TRANSPORTATION AND DEVELOPMENT			
DESIGNED PAA	DETAILED KAJ	DIR. spdetal/sofyyend	
CHECKED JCM	CHECKED PAA	FILE sofcrd2.dgn	
REVISIONS			
HYDRAULICS SECTION			

DATE	DESCRIPTION	BY
1-16-98	Added Special Detail Name SETCRD2	JCM
6-25-92	General Revisions	PAA
3-31-92	Corrected formula for pipe runner span	PAA